

ROLANVALVE

TECNOLOGIA ITALIANA

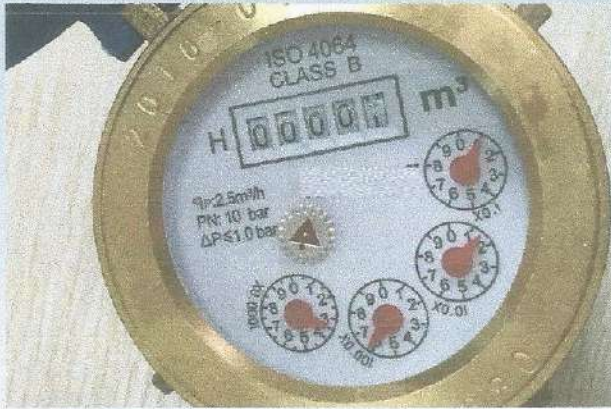


**MULTI JET DRY DIAL
BRASS WATER METER**

ROLANVALVE

TECNOLOGIA ITALIANA

MULTI JET BRASS BODY DRY WATER METER LXSG-15E~50E



Compliance with standard: ISO 4064 ClassB
(GB/T 778.1~3-2007)

Measuring the volume of water passing through
a resident unit

Between Q1 and Q2(excluded) is $\pm 5\%$

Between Q2(included) and Q4 is $\pm 2\%$

Water temperature: $\leq 50^{\circ}\text{C}$ for water meter

Dry dial

Magnetic drive, Resistance to exterior magnet interference

Multi-jet

Selected high quality materials for steady & reliable characteristic

Low pressure loss

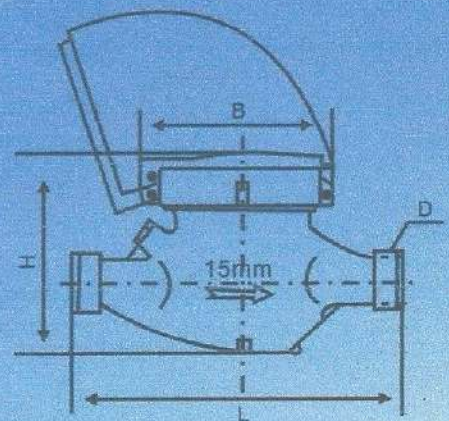
Vacuum sealed register ensures the dial kept free
from fog and keep the reading clear in a long term service

Universal use. Easy for interchange & maintenance

Outer adjusting



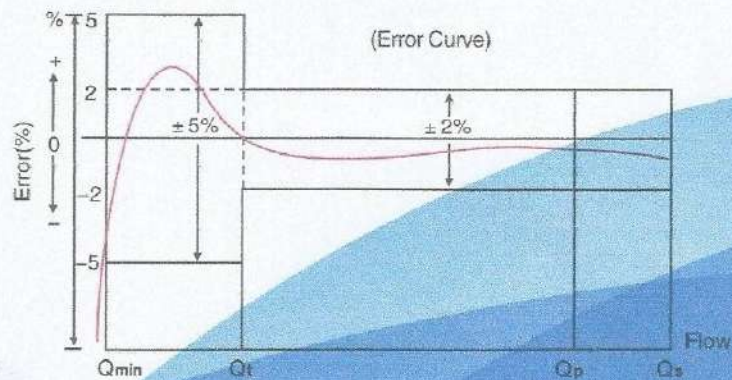
DN (mm)	L Length	B Width	H Height	Connecting Thread D	Weight Kg
	mm				
15	165	99	105	G3/4B	1.15
20	195	99	106	G1B	1.5
25	225	104	115	G1-1/4B	2.15
32	225	104	115	G1-1/2B	2.5
40	245	125	153	G2B	4.2
50	300	125	153	G2-1/2B	5.5



Flow Technique Specification

DN(mm)	15	20	25	32	40	50	
Size(inch)	1/2"	3/4"	1"	1-1/4"	1-1/2"	2"	
Q_s (m ³ /h)	3	5	7	12	20	30	
Q_p (m ³ /h)	1.5	2.5	3.5	6	10	15	
Class B	Q_t (l/h)	120	200	280	480	800	3000
	Q_{min} (l/h)	30	50	70	120	200	450
Max Reading(m ³)	99999			999999			
Min Reading(m ³)	0.00005						
Nominal Pressure(bar)	10						
Pressure Loss(ΔP)	63						
Max Temperature	50°C						

Flow Error Curve



Pressure Loss Curve

